

# ILLUSTRATED PARTS BREAKDOWN

**PARTNER**

**12 HP, 42" MOWER DECK**

**LAWN TRACTOR**

**MODEL NUMBER 12-107H (P12H105J)**

**964 77 27-00**



# REPAIR PARTS

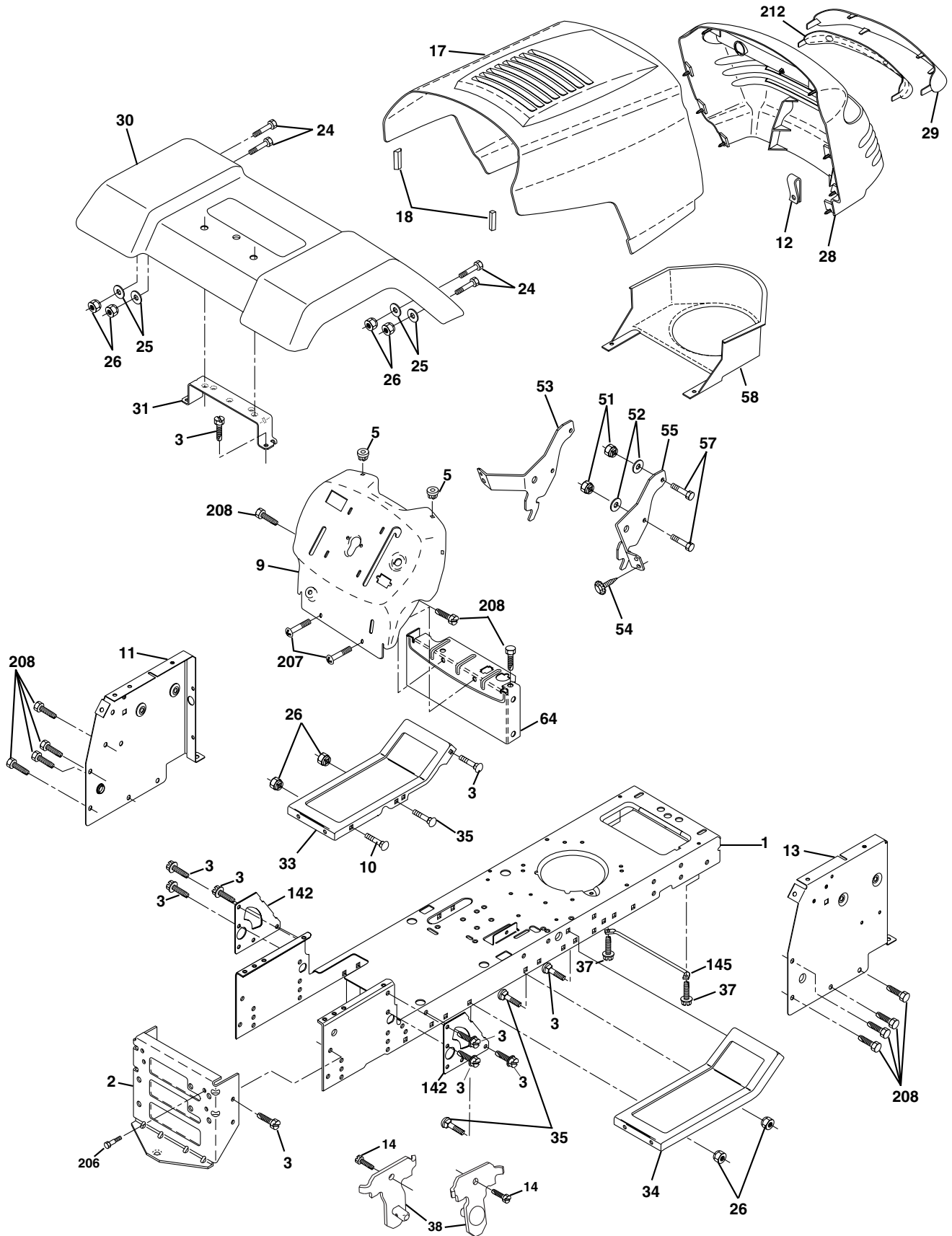
TRACTOR- -MODEL NO. 12-107H (P12H105J), PRODUCT NO. 964 77 27-00  
ELECTRICAL

| KEY NO. | PART NO.            | DESCRIPTION                     |
|---------|---------------------|---------------------------------|
| 1       | 532 16 34-65        | Battery                         |
| 2       | 874 76 04-12        | Bolt Hex Hd 1/4-20unc X 3/4     |
| 8       | 532 17 66-89        | Box Battery Fender              |
| 16      | 532 17 61-38        | Switch Interlock                |
| 21      | <b>532 17 56-85</b> | Harness Asm Light W/4152j       |
| 22      | 532 00 41-52        | Bulb Light #1156                |
| 24      | 532 12 47-80        | Cable Battery 6 Ga 11" Red      |
| 25      | 532 14 61-47        | Cable Battery 6 Ga Red w/16 wir |
| 26      | 532 17 51-58        | Fuse                            |
| 27      | 873 51 04-00        | Nut Keps Hex 1/4-20 Unc         |
| 28      | 532 12 47-73        | Cable Ground 6 Ga 12" black     |
| 29      | 532 12 13-05        | Switch Plunger Nc Gray          |
| 30      | 532 17 55-66        | Switch Ign                      |
| 33      | 532 14 04-01        | Key                             |
| 40      | 532 17 97-20        | Harness Ignition                |
| 41      | 871 11 04-08        | Bolt Blk Fin Hex 1/4 - 20 x 1/2 |
| 42      | 532 13 15-63        | Cover Terminal Red              |
| 43      | 532 17 88-61        | Solenoid                        |
| 48      | 532 14 08-44        | Adapter Ammeter Rectangular     |
| 52      | 532 14 19-40        | Protection Wire Loop            |
| 90      | 532 18 04-49        | Cover Terminal Battery          |

**NOTE:** All component dimensions given in U.S. inches.  
1 inch = 25.4 mm.

# REPAIR PARTS

TRACTOR- -MODEL NO. 12-107H (P12H105J), PRODUCT NO. 964 77 27-00  
CHASSIS AND ENCLOSURES



# REPAIR PARTS

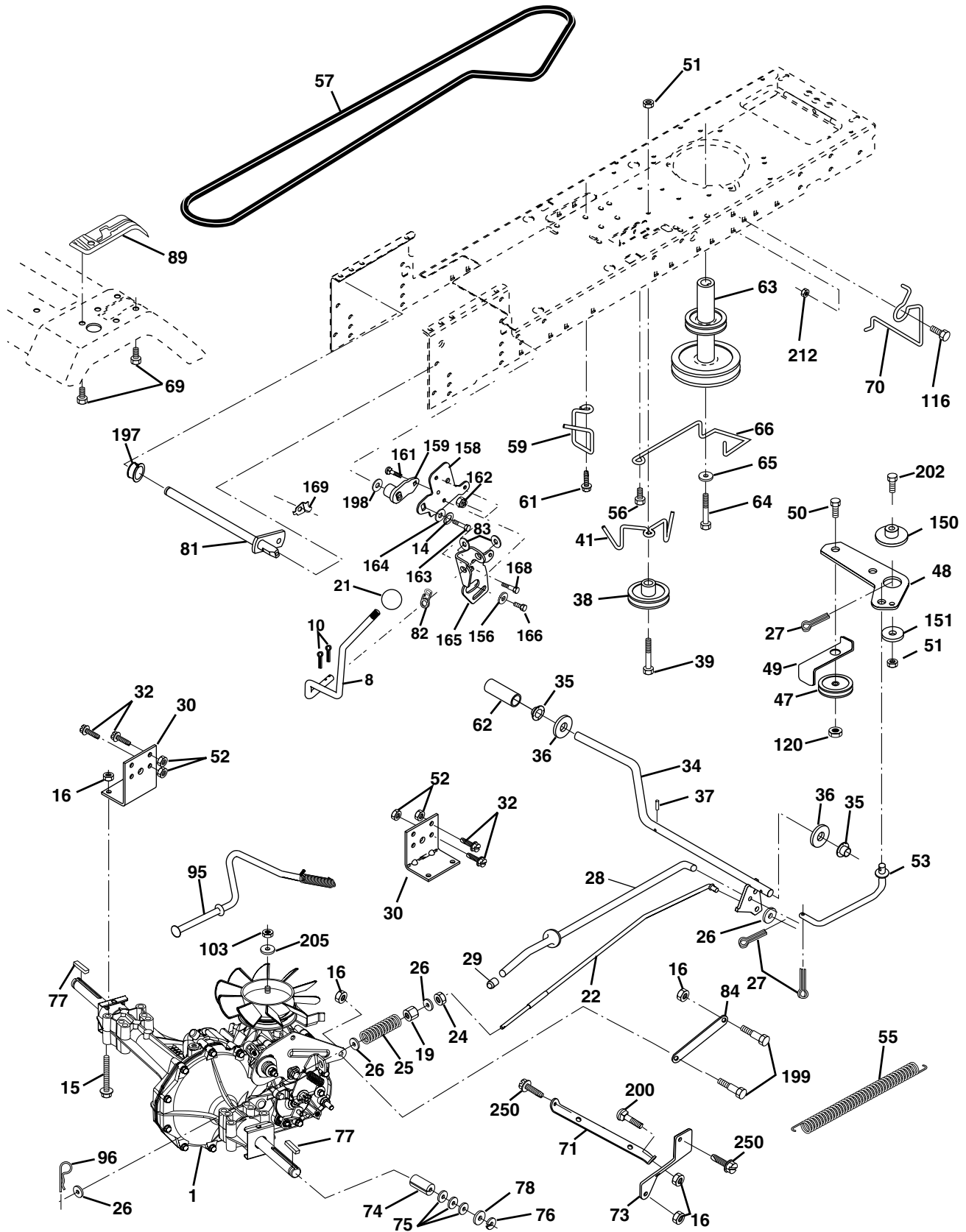
## TRACTOR- -MODEL NO. 12-107H (P12H105J), PRODUCT NO. 964 77 27-00 CHASSIS AND ENCLOSURES

| KEY NO. | PART NO.            | DESCRIPTION                      |
|---------|---------------------|----------------------------------|
| 1       | 532 17 46-19        | Chassis                          |
| 2       | 532 17 65-54        | Drawbar                          |
| 3       | 817 06 06-12        | Screw 3/8-16 x .75               |
| 5       | 532 15 52-72        | Bumper Hood Dash                 |
| 9       | 532 17 21-51        | Dash                             |
| 10      | 872 14 06-08        | Bolt Rdhd Sqnk 3/8-16unc X 1     |
| 11      | <b>532 17 49-96</b> | Panel Dash LH                    |
| 12      | 532 14 56-60        | Clip Tinnerman Grille P/L        |
| 13      | <b>532 18 17-19</b> | Panel Dash RH                    |
| 14      | 817 49 06-08        | Screw Thdrol 3/8-16 x 1/2        |
| 17      | 532 16 03-82        | Hood                             |
| 18      | 532 12 69-38        | Bumper Hood                      |
| 24      | 874 78 06-16        | Bolt Fin Hex 3/8-16unc X 1 Gr. 5 |
| 25      | 819 13 13-12        | Washer 13/32 X 13/16 X 12 Ga.    |
| 26      | 873 80 06-00        | Nut Lock Hex w/Ins 3/8-16 Unc    |
| 28      | 532 17 91-00        | Grille/Lens Asm                  |
| 29      | 532 16 81-54        | Lens Grille                      |
| 30      | 532 17 30-26        | Fender                           |
| 31      | 532 13 66-19        | Bracket Fender Repl 109873x      |
| 33      | 532 18 10-58        | Footrest Pnt LH                  |
| 34      | 532 18 10-57        | Footrest Pnt RH                  |
| 35      | 872 11 06-06        | Bolt Rdhd Sht Sqnk 3/8-16 X3/4   |
| 37      | 817 49 05-08        | Screw Thdrol 5/16-18 x 1/2 Tyt   |
| 38      | 532 17 57-10        | Bracket Asm Pivot Mower Rear     |
| 51      | 873 80 04-00        | Nut Lock w/Insert 1/4-20         |
| 52      | 819 09 14-16        | Washer 9/32 x 7/8 x 16 Ga.       |
| 53      | 532 14 46-97        | Bracket Grille LH                |
| 54      | 532 16 14-64        | Screw Hex Wshd 8-18 x 7/8        |
| 55      | 532 14 46-96        | Bracket Grille RH                |
| 57      | 874 78 04-12        | Bolt Hex 1/4-20 x 3/4            |
| 58      | 532 15 01-27        | Air Duct Private Label           |
| 64      | 532 15 47-98        | Dash Lower STLT                  |
| 142     | 532 17 57-02        | Plate Reinforcement STLT         |
| 145     | 532 15 65-24        | Rod Pivot Chassis/Hood           |
| 206     | 532 17 01-65        | Bolt Shoulder 5/16-18            |
| 207     | 817 67 05-08        | Screw Thdrol 5/16-18 x 1/2       |
| 208     | 817 67 06-08        | Screw Thdrol 3/8-16 x 1/2        |
| 212     | 532 15 62-29        | Insert Lens Reflective           |
| --      | 532 00 54-79        | Plug Button Blk 359 Dia Choke    |

**NOTE:** All component dimensions given in U.S. inches.  
1 inch = 25.4 mm.

# REPAIR PARTS

TRACTOR- -MODEL NO. 12-107H (P12H105J), PRODUCT NO. 964 77 27-00  
DRIVE



# REPAIR PARTS

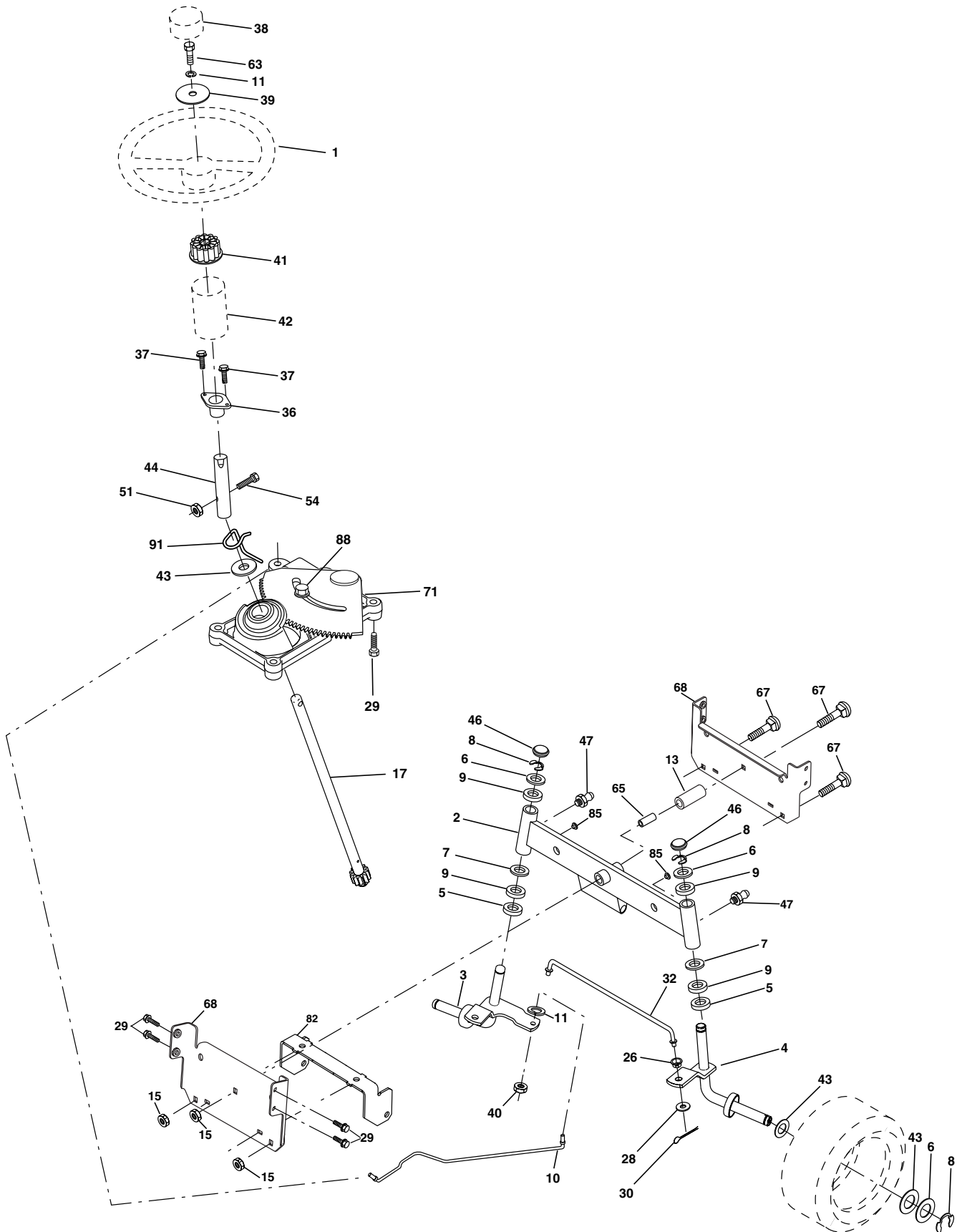
TRACTOR- -MODEL NO. 12-107H (P12H105J), PRODUCT NO. 964 77 27-00  
DRIVE

| KEY NO. | PART NO.            | DESCRIPTION  | KEY NO. | PART NO.            | DESCRIPTION                      |
|---------|---------------------|--|---------|---------------------|----------------------------------|
| 1       | -----               | Transmission Hydro 322-0510<br>(Order parts from transaxle manufacturer) | 69      | 532 14 24-32        | Screw                            |
| 8       | 532 16 56-19        | Rod, Shift   | 70      | <b>532 18 02-18</b> | Guide, Belt, Mower Drive RH      |
| 10      | 876 02 04-16        | Pin, Cotter 1/8 x 1  | 71      | 532 16 91-83        | Strap, Torque, Lh                |
| 14      | 810 04 04-00        | Washer Lock Hvy Helical  | 73      | 532 16 91-82        | Strap, Torque, Rh                |
| 15      | 874 49 05-44        | Bolt Hex FLGHD 5/16-18 Gr. 5   | 74      | 532 13 70-57        | Spacer, Axle                     |
| 16      | 873 80 05-00        | Nut, Lock Hex w/Ins 5/16-18 UNC  | 75      | 532 12 17-49        | Washer 25/32 x 1-1/4 x 16 Ga.    |
| 19      | 873 80 06-00        | Nut, Lock Hex w/Wsh 3/8-16 UNC   | 76      | 812 00 00-01        | Ring, E                          |
| 21      | 532 10 69-33        | Knob Rd. 1/2-13 Plstc. Thds. Blk.  | 77      | 532 12 35-83        | Key, Square                      |
| 22      | 532 16 94-98        | Rod, Brake   | 78      | 532 12 17-48        | Washer 25/32 x 1-5/8 x 16 Ga.    |
| 24      | 873 35 06-00        | Nut  | 81      | 532 16 55-96        | Asm, Shaft Cross                 |
| 25      | 532 10 68-88        | Spring, Rod, Brake   | 82      | 532 12 37-82        | Spring, Torsion                  |
| 26      | 819 13 13-16        | Washer 13/32 x 13/16 x 16 Ga.  | 83      | 819 17 12-16        | Washer 17/32 x 3/4 x 16 Ga.      |
| 27      | 876 02 04-12        | Pin, Cotter 1/8 x 3/4  | 84      | 532 16 98-43        | Link, Transaxle                  |
| 28      | 532 17 57-65        | Rod, Parking Brake   | 89      | 532 17 30-29        | Console, Shift                   |
| 29      | 532 07 16-73        | Cap, Parking Brake   | 95      | 532 17 02-01        | Control Asm Bypass Hydro         |
| 30      | 532 17 49-73        | Bracket, Transmission  | 96      | 532 12 47-88        | Spring, Retainer 1"              |
| 32      | 874 76 05-12        | Bolt Hex 5/16-18 UNC x 3/4   | 103     | 873 94 08-00        | Nut Hex Jam Toplock 1/2-20 UNF   |
| 34      | 532 17 55-78        | Shaft, Foot Pedal  | 116     | 872 14 06-08        | Bolt 3/8-16 x 1                  |
| 35      | 532 12 01-83        | Bearing, Nylon   | 120     | 873 90 06-00        | Nut Lock 3/8-16                  |
| 36      | 819 21 16-16        | Washer   | 150     | 532 17 54-56        | Spacer Retainer                  |
| 37      | 532 12 49-63        | Pin, Roll  | 151     | 819 13 32-10        | Washer 13/32 x 2 x 10            |
| 38      | 532 17 91-14        | Pulley, Composite  | 156     | 532 16 60-02        | Washer Srrted 5/16ID x 1.125     |
| 39      | 874 76 06-48        | Bolt 3/8-16 x 3  | 158     | 532 16 55-89        | Bracket Shift Mount              |
| 41      | 532 17 55-56        | Keeper, Belt, Idler  | 159     | 532 16 54-94        | Hub Tapered Flange Shift Lt      |
| 47      | 532 12 77-83        | Pulley, Idler, V-Belt  | 161     | 872 14 04-06        | Bolt Rdhd Sqnk 1/4-20 x 3/4 Gr 5 |
| 48      | 532 15 44-07        | Bellcrank Clutch Grnd Drustl   | 162     | 873 68 04-00        | Nut Crownlock 1/4-20 Unc         |
| 49      | 532 12 32-05        | Retainer, Belt   | 163     | 874 78 04-16        | Bolt Hex Fin 1/4-20 Unc x 1 Gr 5 |
| 50      | 874 76 06-24        | Bolt   | 164     | 819 09 10-10        | Washer 5/8 x .281 x 10 Ga.       |
| 51      | 873 68 06-00        | Nut  | 165     | 532 16 56-23        | Bracket Pivot Lever              |
| 52      | 873 68 05-00        | Nut Crownlock 5/16-28  | 166     | 532 16 68-80        | Screw 5/16-18 x 5/8              |
| 53      | 532 10 57-10        | Link, Clutch   | 168     | 532 16 54-92        | Bolt Shoulder 5/16-18 x .561     |
| 55      | 532 10 57-09        | Spring, Return, Clutch   | 169     | 532 16 55-80        | Plate Fastening Lt               |
| 56      | 817 06 06-20        | Screw 3/8-16 x 1-1/4   | 197     | 532 16 96-13        | Nyliner Snap-In                  |
| 57      | 532 14 02-94        | V-Belt, Drive  | 198     | 532 16 95-93        | Washer Nyliner                   |
| 59      | 532 16 96-91        | Keeper, Belt, Center   | 199     | 532 16 96-12        | Bolt Shoulder 5/16-18 UNC        |
| 61      | 817 12 06-14        | Screw 3/8-16 x .875  | 200     | 872 14 05-08        | Bolt RDHD SQNK 5/16-18 UNC x 1   |
| 62      | 532 12 48-72        | Cover, Pedal   | 202     | 872 11 06-14        | Bolt Carr Sh 3/8-16 x 1-3/4 Gr.  |
| 63      | <b>532 18 02-19</b> | Pulley, Engine   | 205     | 819 17 16-16        | Washer 17/32 x 1 x 16 Ga.        |
| 64      | 871 17 07-64        | Bolt Hex 7/16 x 4 Gr. 5  | 212     | 532 14 52-12        | Nut Hex Flange Lock              |
| 65      | 810 04 07-00        | Washer   | 250     | 817 06 06-12        | Screw 3/8-16 x .75               |
| 66      | 532 15 47-78        | Keeper, Belt Engine F-proof  |         |                     |                                  |

**NOTE:** All component dimensions given in U.S. inches  
1 inch = 25.4 mm

# REPAIR PARTS

TRACTOR- -MODEL NO. 12-107H (P12H105J), PRODUCT NO. 964 77 27-00  
STEERING ASSEMBLY





# REPAIR PARTS

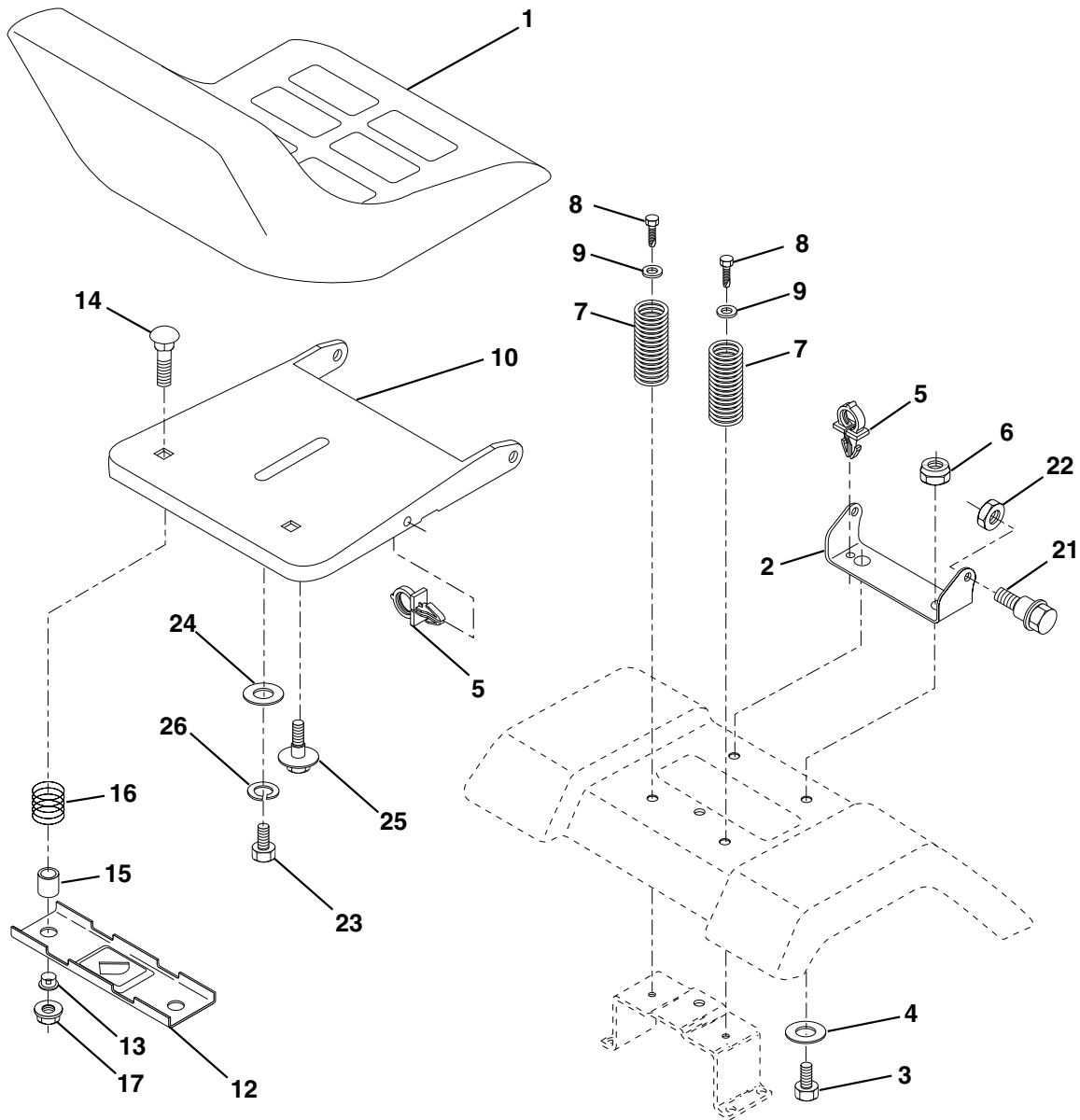
## TRACTOR- -MODEL NO. 12-107H (P12H105J), PRODUCT NO. 964 77 27-00 STEERING ASSEMBLY

| KEY NO. | PART NO.     | DESCRIPTION                      |
|---------|--------------|----------------------------------|
| 1       | 532 13 97-68 | Wheel Steering Opp. Sears Blk    |
| 2       | 532 17 51-31 | Axle Asm                         |
| 3       | 532 16 98-40 | Spindle Asm LH                   |
| 4       | 532 16 98-39 | Spindle Asm RH                   |
| 5       | 532 12 49-31 | Bearing Race Thrust Harden       |
| 6       | 532 12 17-48 | Washer 25/32 x 1-5/8 x 16 Ga     |
| 7       | 819 27 20-16 | Washer 27/32 x 1-1/4 x 16 Ga     |
| 8       | 812 00 00-29 | Ring Klip #t5304-75              |
| 9       | 532 12 49-37 | Bearing Col Strg Blk             |
| 10      | 532 17 51-21 | Link Drag                        |
| 11      | 810 04 06-00 | Washer Lock Hvy Hlcl Spr 3/8     |
| 13      | 532 13 65-18 | Spacer Brace Axle                |
| 15      | 532 14 52-12 | Nut Hexflange Lock               |
| 17      | 532 17 78-76 | Shaft Asm Strg                   |
| 26      | 532 12 68-47 | Bushing Link Drag Blk LR         |
| 28      | 819 13 14-16 | Washer 13/32 x 7/8 x 16 Ga       |
| 29      | 817 06 06-12 | Screw 3/8-16 x .75               |
| 30      | 876 02 04-12 | Pin Cotter 1/8 x 3/4 Cad         |
| 32      | 532 13 04-65 | Rod Tie Wire Form 19 75 Mech     |
| 36      | 532 15 50-99 | Bushing Strg Nat .623/.618ld     |
| 37      | 532 15 29-27 | Screw TT #10-32 x 5 x 3/8 Flange |
| 38      | 532 14 01-75 | Cap Wheel Steer P/L              |
| 39      | 819 13 38-12 | Washer 13/32 x 2-3/8 x 12 Ga     |
| 40      | 532 12 47-01 | Nut Lock Center 3/8-24unf        |
| 41      | 532 10 07-11 | Adaptor Wheel Strg               |
| 42      | 532 16 96-33 | Boot Shaft Steering              |
| 43      | 532 12 17-49 | Washer 25/32 X 1 1/4 X 16 Ga     |
| 44      | 532 15 37-20 | Extension Steering               |
| 46      | 532 12 12-32 | Cap Spindle Fr Top Blk           |
| 47      | 532 12 48-36 | Fitting Grease                   |
| 51      | 873 80 05-00 | Nut Lock Hx w/Ins 5/16-18 Unc    |
| 54      | 874 78 05-20 | Bolt Fin Hex 5/16-18 Unc x 1-1/4 |
| 63      | 874 78 06-16 | Bolt Fin Hex 3/8-16 UNC Gr. 5    |
| 65      | 532 16 03-67 | Spacer Brace Axle                |
| 67      | 872 14 06-18 | Bolt RDHD SQ 3/8-16 UNC x 2-1/4  |
| 68      | 532 16 98-27 | Brace Axle                       |
| 71      | 532 17 51-46 | Steering Asm.                    |
| 82      | 532 16 98-35 | Bracket Susp. Chassis Front      |
| 85      | 532 13 38-35 | Fastener Christmas Tree          |
| 88      | 532 17 51-18 | Bolt Shoulder 7/16-20            |
| 91      | 532 17 55-53 | Clip Steering                    |

**NOTE:** All component dimensions given in U.S. inches.  
1 inch = 25.4 mm.

# REPAIR PARTS

## TRACTOR- -MODEL NO. 12-107H (P12H105J), PRODUCT NO. 964 77 27-00 SEAT ASSEMBLY



| KEY NO. | PART NO.            | DESCRIPTION                    |
|---------|---------------------|--------------------------------|
| 1       | 532 14 01-16        | Seat                           |
| 2       | 532 14 05-51        | Bracket Pivot Seat 8 720       |
| 3       | 871 11 06-16        | Bolt Fin Hex 3/8-16unc X 1     |
| 4       | 819 13 16-10        | Washer 13/32 X 1 X 10 Ga       |
| 5       | 532 14 50-06        | Clip Push-In                   |
| 6       | 873 80 06-00        | Nut Lock Hex w/Wsh 3/8-16 Unc  |
| 7       | 532 12 41-81        | Spring Seat Cprsn 2 250 Blk Zi |
| 8       | 817 00 06-16        | Screw 3/8-16 X 1.5             |
| 9       | 819 13 16-14        | Washer 13/32 X 1 X 14 Ga.      |
| 10      | <b>532 18 24-93</b> | Pan Seat                       |
| 12      | 532 12 12-46        | Bracket Mounting Switch        |
| 13      | 532 12 12-48        | Bushing Snap Blk Nyl 50 Id     |

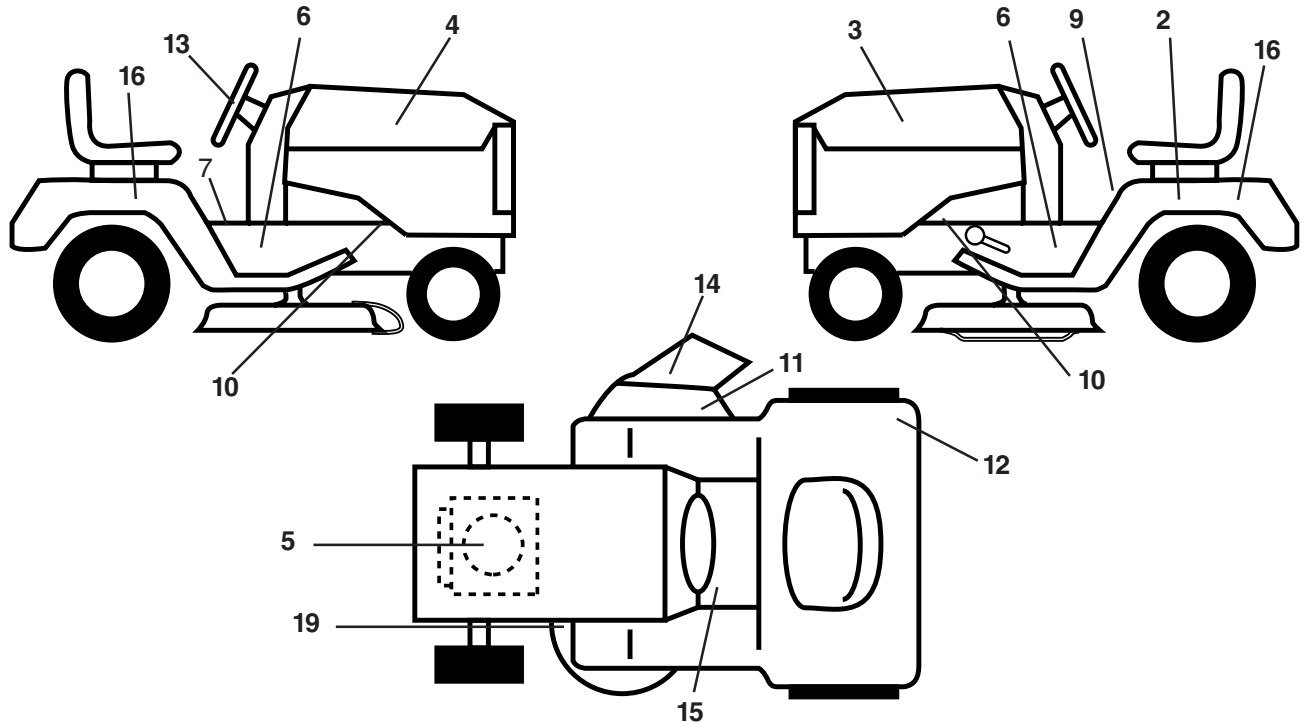
| KEY NO. | PART NO.     | DESCRIPTION                       |
|---------|--------------|-----------------------------------|
| 14      | 872 05 04-12 | Bolt Rdhd Sht Nk 1/4-20x1-1/2     |
| 15      | 532 13 43-00 | Spacer Split 28x 96 Yel Zinc      |
| 16      | 532 12 12-50 | Spring Cprsn 1 27 Blk Pnt         |
| 17      | 532 12 39-76 | Nut Lock 1/4 Lge Flg Gr 5 Zinc    |
| 21      | 532 17 18-52 | Bolt Shoulder 5/16-18 Unc -2A     |
| 22      | 873 80 05-00 | Nut Lock Hex W/Insert 5/16-18 UNC |
| 23      | 871 11 08-14 | Bolt Hex Black                    |
| 24      | 819 17 19-12 | Washer 17/32 X 1-3/16 X 12 Ga.    |
| 25      | 532 12 70-18 | Bolt Shoulder 5/16-18 X 62        |
| 26      | 810 04 08-00 | Washer Lock Hvy HLCLSPR 1/2       |

**NOTE:** All component dimensions given in U.S. inches.  
1 inch = 25.4 mm

# REPAIR PARTS

TRACTOR- -MODEL NO. 12-107H (P12H105J), PRODUCT NO. 964 77 27-00

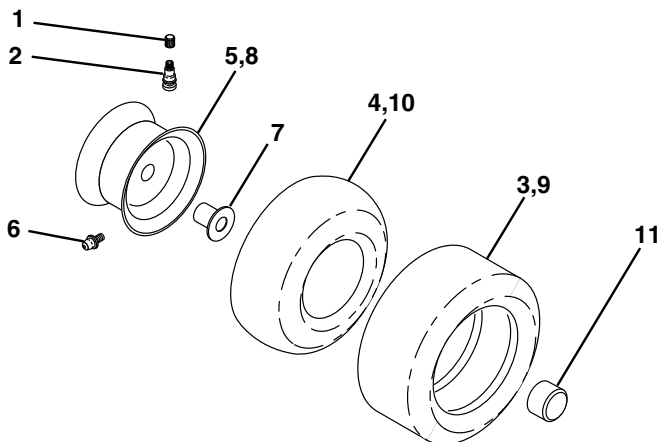
## DECALS



| KEY NO. | PART NO.            | DESCRIPTION                   |
|---------|---------------------|-------------------------------|
| 2       | 532 14 50-05        | Decal Bat Dan/Poi P/L Symbols |
| 3       | 532 17 59-57        | Decal Hood LH                 |
| 4       | 532 17 59-56        | Decal Hood RH                 |
| 5       | 532 17 08-32        | Decal Engine                  |
| 6       | 532 13 75-88        | Decal Chas. Turbo Collection  |
| 7       | 532 14 08-37        | Decal Saddle Brake Parking    |
| 9       | 532 14 54-98        | Decal Read Owners Manual Syms |
| 10      | 532 15 97-36        | Decal Chassis Hot Muffler     |
| 11      | <b>532 18 21-66</b> | Decal Mower Cut finger Symbol |
| 12      | <b>532 18 04-32</b> | Decal 100 DbA                 |

| KEY NO. | PART NO.            | DESCRIPTION                     |
|---------|---------------------|---------------------------------|
| 13      | 532 14 69-98        | Decal Strg Wheel Cap            |
| 14      | 532 17 91-28        | Decal Deck "B"                  |
| 15      | 532 15 97-37        | Decal Brake/Clutch              |
| 16      | 532 17 13-13        | Decal Fender Automatic          |
| 19      | 532 16 03-96        | Decal V-Belt Sch                |
| --      | 532 16 92-10        | Decal By-Pass                   |
| --      | 532 16 25-98        | Decal Drawbar Load Limit        |
| --      | 532 13 83-11        | Decal Lift Handle (Lift Handle) |
| --      | <b>532 18 22-50</b> | Manual Operator's Euro          |
| --      | <b>532 18 22-51</b> | Manual Operator's Scan          |

## WHEELS & TIRES

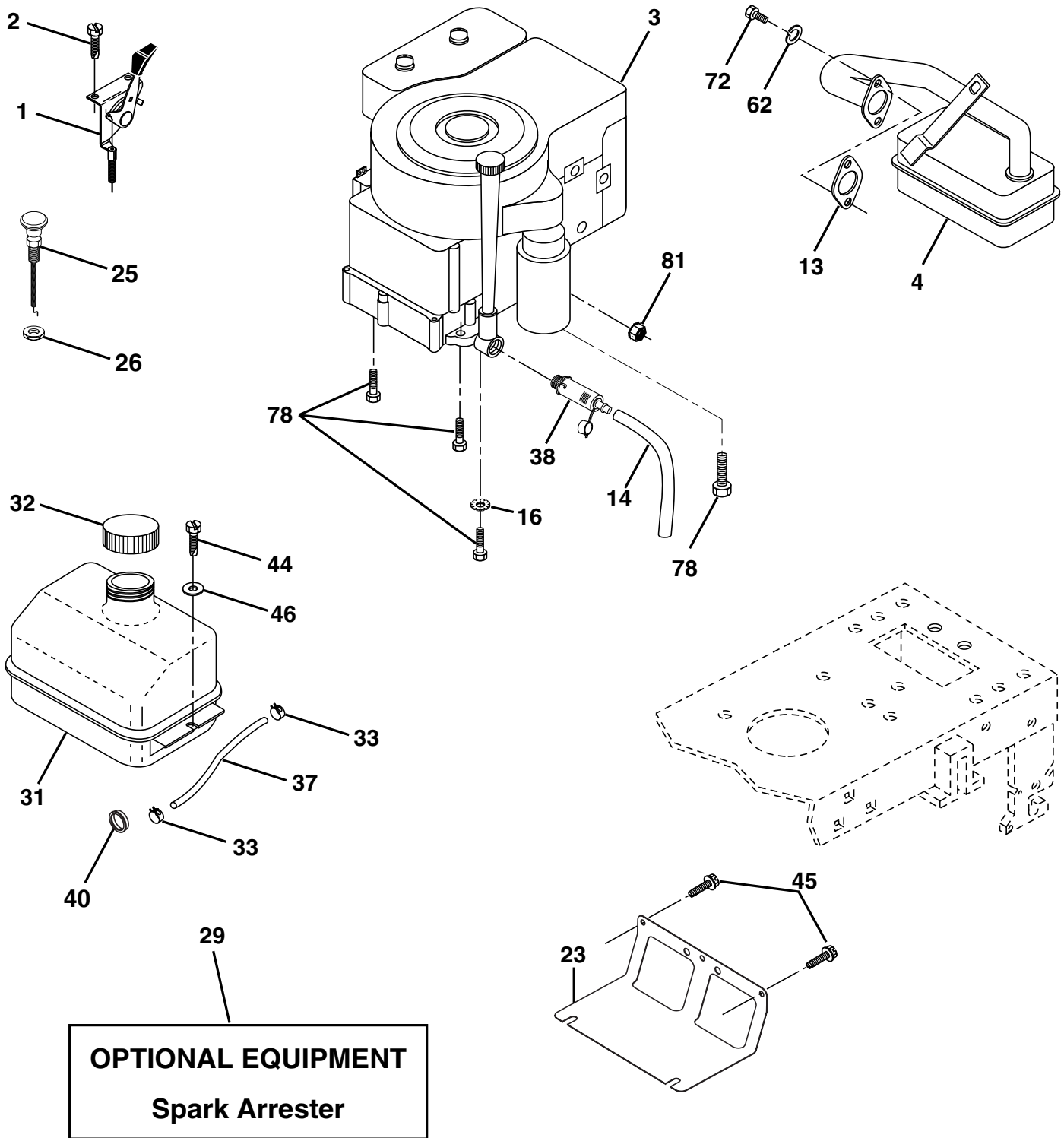


| KEY NO. | PART NO.     | DESCRIPTION                       |
|---------|--------------|-----------------------------------|
| 1       | 532 05 91-92 | Cap Valve Tire                    |
| 2       | 532 06 51-39 | Stem Valve                        |
| 3       | 532 10 62-22 | Tire F Ts 15 X 6 0 - 6 Service    |
| 4       | 532 05 99-04 | Tube Front (Service Item Only)    |
| 5       | 532 12 51-21 | Rim Asm 6" front Yellow Service   |
| 6       | 532 12 49-57 | Fitting Grease (Front Wheel Only) |
| 7       | 532 12 49-59 | Bearing Flange (Front Wheel Only) |
| 8       | 532 12 51-22 | Rim Asm 8" rear Yellow Service    |
| 9       | 532 10 62-68 | Tire R Ts 18 x 9.5-8 C. Service   |
| 10      | 532 12 49-26 | Tube Rear (Service Item Only)     |
| 11      | 532 17 50-39 | Cap Axle Blk 1 50 X 1 00          |

**NOTE:** All component dimensions given in U.S. inches  
1 inch = 25.4 mm

# REPAIR PARTS

TRACTOR- -MODEL NO. 12-107H (P12H105J), PRODUCT NO. 964 77 27-00  
ENGINE



# REPAIR PARTS

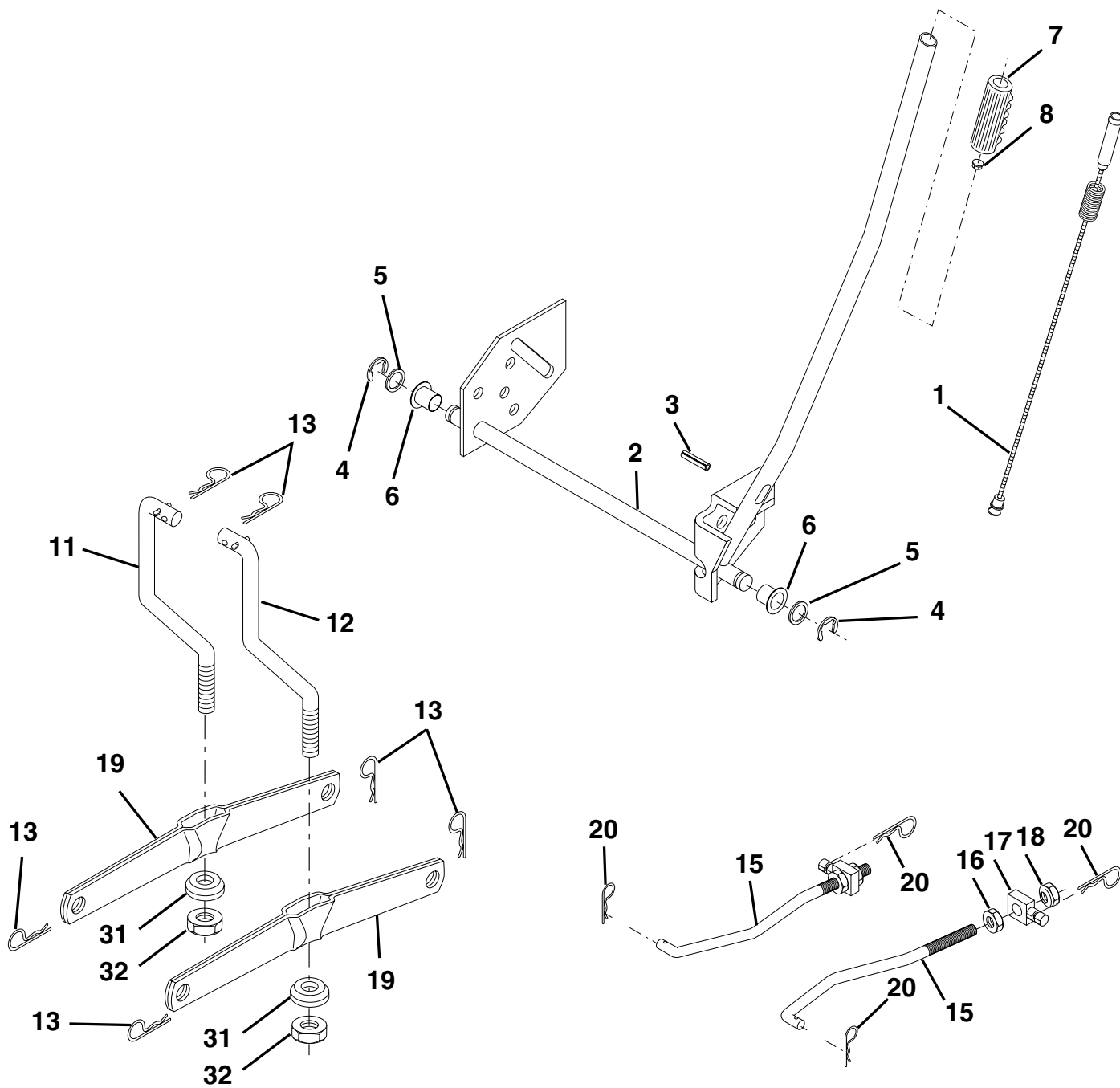
TRACTOR- -MODEL NO. 12-107H (P12H105J), PRODUCT NO. 964 77 27-00  
ENGINE

| KEY NO. | PART NO.     | DESCRIPTION   |
|---------|--------------|---|
| 1       | 532 17 08-65 | Control Th/ch Flag Eec  |
| 2       | 817 72 04-08 | Screw Hex Thd Cut 1/4-20 x 1/2  |
| 3       | -----        | Engine B&S Model No. 289707<br>(Order parts from engine manufacturer) |
| 4       | 532 13 73-48 | Muffler LT B&S 12/12 5 HP   |
| 13      | 532 16 52-91 | Gasket Eng  |
| 14      | 532 14 84-56 | Tube Drain Oil Easy   |
| 16      | 811 05 06-00 | Washer Lock Ext Tooth 3/8   |
| 23      | 532 16 98-37 | Shield Brn/Dbr Guard  |
| 25      | 532 18 09-45 | Control Choke   |
| 26      | 873 92 06-00 | Nut Keps 3/8-24   |
| 29      | 532 13 71-80 | Kit Spark Arrecter  |
| 31      | 532 10 92-02 | Tank Fuel Front 1.25  |
| 32      | 532 14 05-27 | Cap Asm Fuel W/sym Vented   |
| 33      | 532 12 34-87 | Clamp Hose Blk  |
| 37      | 532 13 70-40 | Line Fuel 20"   |
| 38      | 532 14 83-15 | Plug Drain Oil Easy   |
| 40      | 532 12 40-28 | Bushing Snap Nyl Blk Fuel Line  |
| 44      | 817 67 04-12 | Screw Hexwsh Thdrol 1/4-20 x 3/4                                      |
| 45      | 817 00 06-12 | Screw Hexwsh Thdrol 3/8-16 x 3/4                                      |
| 46      | 819 09 14-16 | Washer 9/32 x 7/8 x 16 Ga.  |
| 62      | 810 04 05-00 | Washer Lock Hvy Hlcl Spr 5/16   |
| 72      | 871 07 05-12 | Screw Hexhd Cap 5/16-18x3/4   |
| 78      | 817 06 06-20 | Screw 3/8-16 x 1-1/4  |
| 81      | 873 51 04-00 | Nut Keps Hex 1/4-20 UNC   |

**NOTE:** All component dimensions given in U.S. inches  
1 inch = 25.4 mm

# REPAIR PARTS

TRACTOR- -MODEL NO. 12-107H (P12H105J), PRODUCT NO. 964 77 27-00  
MOWER LIFT



# REPAIR PARTS

TRACTOR- -MODEL NO. 12-107H (P12H105J), PRODUCT NO. 964 77 27-00  
MOWER LIFT

| KEY NO. | PART NO.     | DESCRIPTION                   |
|---------|--------------|-------------------------------|
| 1       | 532 15 94-60 | Wire Asm Inner W/Plunger      |
| 2       | 532 15 94-71 | Shaft Asm Lift                |
| 3       | 532 10 57-67 | Pin Groove                    |
| 4       | 812 00 00-02 | E Ring #5133-62               |
| 5       | 819 21 16-21 | Washer PLTD 21/32 X 1 X 21 ga |
| 6       | 532 12 01-83 | Bearing Nylon Blk 629 Id      |
| 7       | 532 10 94-13 | Grip Handle Bicycle Matte Blk |
| 8       | 532 12 45-26 | Button Plunger Black          |
| 11      | 532 13 98-65 | Link Lift LH                  |
| 12      | 532 13 98-66 | Link Lift RH                  |
| 13      | 532 12 46-70 | Retainer Spring               |
| 15      | 532 17 32-88 | Link Front                    |
| 16      | 873 35 08-00 | Nut Jam Hex 1/2-13 Unc        |
| 17      | 532 17 56-89 | Trunnion                      |
| 18      | 873 80 08-00 | Nut Lock w/wsh 1/2-13 Unc     |
| 19      | 532 13 98-68 | Arm Suspension Rear           |
| 20      | 532 16 35-52 | Retainer Spring               |
| 31      | 532 16 98-65 | Bearing Pvt Lift              |
| 32      | 873 54 06-00 | Nut Crownlock 3/8-24          |

**NOTE:** All component dimensions given in U.S. inches  
1 inch = 25.4 mm





# REPAIR PARTS

TRACTOR- -MODEL NO. 12-107H (P12H105J), PRODUCT NO. 964 77 27-00  
MOWER

| KEY NO. | PART NO.            | DESCRIPTION                     | KEY NO. | PART NO.            | DESCRIPTION  |
|---------|---------------------|---------------------------------|---------|---------------------|--|
| 1       | 532 16 58-92        | Housing Asm Mower 42" T-Path    | 49      | 532 17 42-84        | Roller Asm Cam Follower 42" dec  |
| 2       | 872 14 05-06        | Bolt Rdhd Sqnk 5/16-18unc X3/4  | 50      | 532 13 13-40        | Bolt Shldr 10-24 Zinc Gr 5 42"   |
| 3       | 532 13 80-17        | Bracket Asm Fr Sway Bar 38/42   | 51      | 532 06 91-80        | Nut Lock #10-24 Unc  |
| 4       | 532 16 54-60        | Bracket Asm Deck 42" sway Bar   | 52      | 532 13 98-88        | Bolt Shoulder 5/16-18 Unc Blkz   |
| 5       | 532 12 46-70        | Retainer Spring                 | 53      | 532 13 18-45        | Arm Asm Pad Brake  |
| 6       | 532 17 80-24        | Bar Sway Deck                   | 54      | 532 13 39-43        | Washer Hardened  |
| 8       | 532 85 08-57        | Bolt 3/8 - 24 X 1.25 Gr 8       | 55      | 532 15 50-46        | Arm Idler 42" mower LT/YT  |
| 9       | 810 03 06-00        | Washer Lock Hvy 3/8 Unplated    | 56      | 532 16 57-23        | Spacer Retainer Pm Mower   |
| 10      | 532 14 02-96        | Washer Hard Blade Mower         | 59      | 532 14 10-43        | Guard TUV Idler  |
| 11      | 532 13 84-98        | Blade Mower High Lift           | 67      | 532 10 69-32        | Knob Rd 3/8-16 Plstc Thds Blk  |
| 13      | 532 13 76-45        | Shaft Asm W/Lower Bearing       | 68      | <b>532 18 02-15</b> | V-Belt Mower   |
| 14      | 532 12 87-74        | Housing Mandrel Vented (Machd)  | 142     | 532 16 58-90        | Arm Spring Brake Mower   |
| 15      | 532 11 04-85        | Bearing Ball Mandrel            | 143     | 532 15 71-09        | Bracket Arm Idler 42"  |
| 16      | 532 17 44-93        | Stripper Round Mower            | 144     | 532 15 86-34        | Keeper Belt 42" Clutch Cable   |
| 18      | 872 14 05-05        | Bolt Carr 5/16-18 X 5/8         | 145     | 532 16 58-88        | Pulley Idler Flat  |
| 19      | 532 13 28-27        | Bolt Shoulder                   | 146     | 532 17 19-77        | Bolt Carriage Idler  |
| 20      | 532 15 97-70        | Baffle Vortex 42"               | 147     | <b>532 17 97-48</b> | Spring Extension   |
| 21      | 873 68 05-00        | Nut Crown Lock 5/16-18          | 148     | 532 16 90-22        | Spring Return Idler  |
| 23      | <b>532 17 75-63</b> | Bracket Deflector Mower 42"     | 149     | 532 16 58-98        | Retainer Spring Yellow   |
| 24      | 532 10 53-04        | Cap Sleeve 80x 112 Blk Mower    | 150     | 819 09 12-16        | Washer 9/32 x 3/4 x 16 Ga.   |
| 25      | 532 12 37-13        | Spring Torsion Deflector 2 52   | 151     | 532 16 96-70        | Bracket Clutch Cable   |
| 26      | 532 11 04-52        | Nut Push Phos & Oil             | 152     | <b>532 18 15-55</b> | Clutch Cable 42"   |
| 27      | 532 17 18-59        | Shield Deflector Mower 42"      | 153     | 532 16 96-74        | Washer Flat 3/8" Type B  |
| 28      | 819 11 10-16        | Washer 11/32 X 5/8 X 16 Ga.     | 154     | 532 16 96-75        | Spring Retainer  |
| 29      | 532 13 14-91        | Rod Hinge 42" 6 75 Wlg          | 155     | 532 16 96-71        | Spring Retention Lvr Cltch Cab   |
| 30      | 532 17 39-84        | Screw Thdrol                    | 156     | 532 16 96-72        | Spacer Clutch Cable  |
| 31      | 532 12 99-63        | Washer Spacer Mower Vented      | 157     | 532 16 96-69        | Rod Clutch Cable 3/8"  |
| 32      | 532 15 35-35        | Pulley Mandrel 42/44/50         | 158     | 817 72 04-08        | Screw Hex Thd Cut 1/4-20 x 1/2   |
| 33      | 532 17 83-42        | Nut Flng Top Lock               | 159     | 872 14 06-14        | Bolt Rdhd Sqnk 3/8-16 UNC x 1-3/4  |
| 34      | 872 11 06-14        | Bolt Rdhd 3/8-16unc X 1-3/4 Gr5 | --      | <b>532 18 19-25</b> | Replacement Mower, Complete  |
| 36      | 532 13 14-94        | Pulley Idler Flat 3 060         | --      | 532 13 07-94        | Mandrel Assembly (Includes Housing, Shaft and Shaft Hardware Only - Pulley Not Included) |
| 37      | 819 13 13-16        | Washer 13/32 X 13/16 X 16       |         |                     |  |
| 40      | 873 68 06-00        | Nut, Crownlock 3/8-16 UNC       |         |                     |  |
| 44      | 532 14 00-88        | Guard Mandrel LH Black          |         |                     |  |
| 45      | 532 12 47-88        | Spring Retainer 1" Zinc/cad     |         |                     |  |
| 46      | 532 13 77-29        | Screw Hex Thd Cut 1/4-20x5/8 T  |         |                     |  |
| 48      | 532 13 39-44        | Washer Hardened Smaller         |         |                     |  |

**NOTE:** All component dimensions given in U.S. inches  
1 inch = 25.4 mm

# TRACTOR- -MODEL NO. 12-107H (P12H105J), PRODUCT NO. 964 77 27-00 SCHEMATIC

